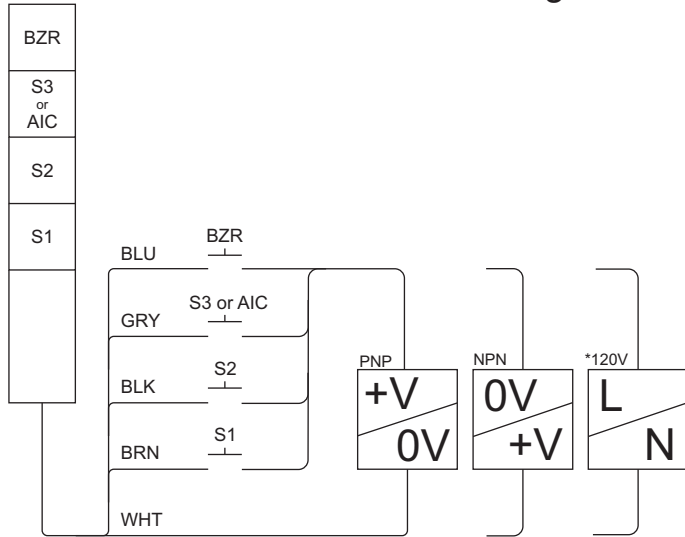


# COMMAND TOWER ELECTRICAL & WIRING SPECIFICATIONS

PLEASE REFERENCE PART NUMBER CONFIGURATION GUIDE OR OUR WEBSITE FOR OPTION COMPATIBILITY

## 1-3 Segment Unit Connection



Wiring Pin Outs & Color Codes

	*5 Pin M12		Flying Leads
	Color	Pin #	Color
Voltage Source	WHT	1	WHT
Segment 1 (S1)	BRN	2	BRN
Segment 2 (S2)	BLK	3	GRN
Segment 3 (S3) or Illuminated Buzzer Option (AIC)	GRY	4	YLW
Buzzer (BZR)	BLU	5	BLU

\* Note for 251 & 252 units with Illuminated Cap and M12 Connector:  
 1-2 Color Segments + Illuminated Cap = 5 Pin M12 Connector.  
 3-5 Color Segments + Illuminated Cap = 8 Pin M12 Connector

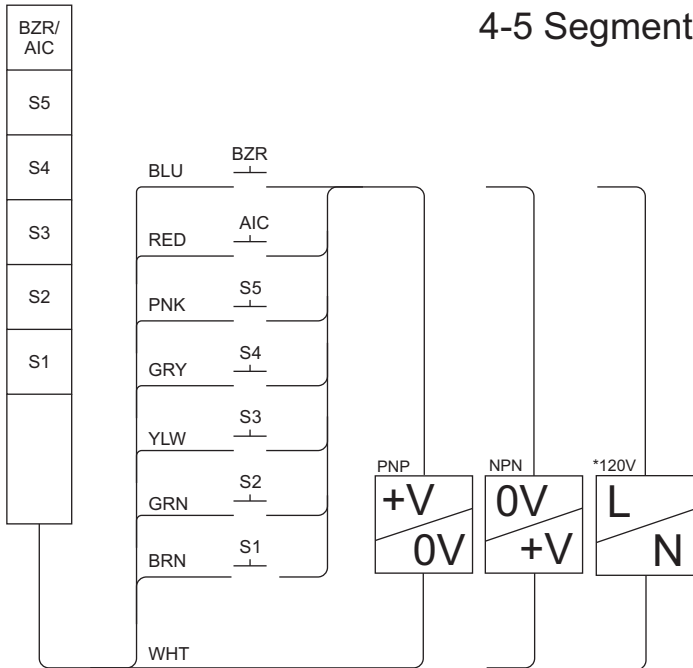
120/230V Currently Available on 251 Series Only, Line Fuses Recommended, see table below

Units Supplied with M12 Male, Turck #RS-4.5T-X with 6" Pigtail at Base of Unit or Pole Compatible Mating Side Female Cordset is Turck #RK4.5T-X or Equal (5 Pin M12) M12 Connectors can be run through Onyx Industries Mounting Poles & Accessories

Units with "S#" wiring option are Standard Duty PVC Jacketed Cables  
 Units with "F#" wiring option are High Flex Duty PVC Jacketed Cables

- Buzzer (BZR) & Illuminated Cap (AIC) can be controlled independent of one another ("AIC Option" on 251 & 252 Series)  
 - Fusing Recommended, User Supplied

## 4-5 Segment Unit Connection



Wiring Pin Outs & Color Codes

	**8 Pin M12		****Flying Leads
	Color	Pin #	Color
Voltage Return	WHT	1	WHT
Segment 1 (S1)	BRN	2	BRN
Segment 2 (S2)	GRN	3	GRN
Segment 3 (S3)	YLW	4	YLW
Segment 4 (S4)	GRY	5	GRY
Segment 5 (S5)	PNK	6	PNK
Illuminated Buzzer Option (AIC)	RED	7	RED
Buzzer (BZR)	BLU	8	BLU

\* Note for 251 & 252 units with AIC Illuminated Cap Option and M12 Connector Option:  
 1-2 Color Segments + Illuminated Cap (AIC Option) = 5 Pin M12 Connector.  
 3-5 Color Segments + Illuminated Cap (AIC Option) = 8 Pin M12 Connector

120/230V Currently Available on 251 Series Only, Line Fuses Recommended, see table below

Units Supplied with M12 Male, Turck #RS-4.5T-X with 6" Pigtail at Base of Unit or Pole Compatible Mating Side Female Cordset is Turck #RK4.5T-X or Equal (5 Pin M12) M12 Connectors can be run through Onyx Industries Mounting Poles & Accessories

Units with "S#" wiring option are Standard Duty PVC Jacketed Cables  
 Units with "F#" wiring option are High Flex Duty PVC Jacketed Cables

- Buzzer (BZR) & Illuminated Cap (AIC) can be controlled independent of one another ("AIC" Option on 251 & 252 Series)  
 - Fusing Recommended, User Supplied

CONFIGURATION	SERIES	151, 152, 251		252 & 257 (LED)		257(Xenon Bulb)		251	
	Voltage (tolerance)	24Vdc (+/-20%)		24Vdc (+/-20%)		24Vdc (Contact factory for 12V)		120Vac	
	Amps/Watts	Amps	Watts	Amps	Watts	Amps	Watts	Amps	Watts
1 Segment		0.045A	1.08W	0.125A	2.04W	0.25A	6W	0.03A	3.6W
2 Segment		0.085A	2.04W	0.245A	3.96W	0.5A	12W	0.05A	6W
3 Segment		0.125A	3W	0.37A	5.76W	0.75A	18W	0.07A	8.4W
4 Segment		0.165A	3.96W	0.49A	7.68W	1A	24W	0.09A	11W
5 Segment		0.205A	4.92W	0.61A	9.6W	1.25A	30W	0.11A	13.2W
Buzzer Option		Adds 0.02A	Adds 0.48W	Adds 0.02A	Adds 0.48W	Adds 0.02A	Adds 0.48W	Adds 0.02A	Adds 0.48W
Illuminated Cap Option				Adds 0.025A	Adds 0.6W				



COMMAND TOWER™

Onyx Industries Inc.  
 2347 Commerce Drive  
 Hastings, MN 55033 USA  
 Ph. 651.204.0797  
 Fx. 651.304.1224  
 www.onyx-industries.com



makers of industrial signal systems & controls

**NOTES:**

1. Amperage/Wattage Ratings Specified Assume All Segments = ON Concurrently
2. Red & Yellow Segments will draw approximately 20% less current than specified in table
3. 257X Xenon Bulb ratings listed. Contact factory for 12V Xenon Bulb ratings
4. Buzzer Tone is Continuous, 95db w/ mechanical damper, other Tones Available on Request
5. Onyx Industries reserves the right to make design changes with out notice